

# Salvo Chock

## User Guide

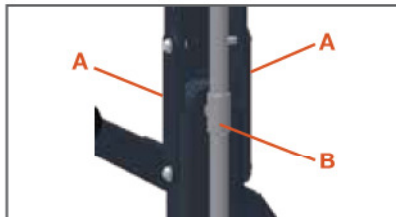


Salvo Chock

Salvo Chock is a device designed to immobilise nonarticulated goods vehicles whilst they are being loaded and unloaded. When used in conjunction with other Salvo products, it can prevent inadvertent or unauthorised drive-aways. It is designed to be deployed on the drivers side front wheel of the vehicle. Salvo Chock introduces discipline into the chocking procedure by interlocking the chock and the loading bay. If the chock is not correctly fitted, the bay door cannot be opened. Like all of the existing products in the Salvo range, Salvo Chock relies on Castell's time-proven trapped-key technology

### Before Use

- 1 When the chock is received, it will be configured for transit. To make the Chock ready for use, the Lock Support Arm must be secured in the operational position.
- 2 The Lock Support Arm must be raised to the vertical position and the Securing Plates (A) fitted to prevent any movement of the arm. The Retention Sleeve (B) should be slid into position around the joint in the spigot.
- 3 To complete the assembly the cover should be fitted with the fixings provided in 6 positions. The Chock is then ready for use.



### Operation

The Salvo Chock is designed as a part of a safety system to prevent accidental drive aways. The Salvo Chock ensures the vehicle is locked in position before the loading bay door can be opened

- 1 Salvo Chock assembly is fitted loosely around drivers-side front wheel. Rotate the catch anti-clockwise to the 'up' position, as shown.
- 2 Press the pedal until the two chocks contact the tyre. Continue until lock springs into place.
- 3 Remove the untrapped key. The chock is now secured in place.



### Precautions



Salvo Chock is designed to fit any size or type of rigid vehicle from 3 to 26 tonnes with tyre outside diameter from 27.5 to 42 inches (700 to 1070 mm). To prevent the risk of manual handling injury, only move the chock around using the mobility handle (see photos under Operating Instructions).

Handle with Care. Beware of pinch points where the two halves slide/telescope together.

### Maintenance

Periodic visual checks should be carried out by the site manager / safety officer. Do not lubricate lock barrel with oil or grease, use CK Dry Powder Graphite if necessary.

The recommended grease to lubricate sliding parts is Armna G4789 or equivalent.

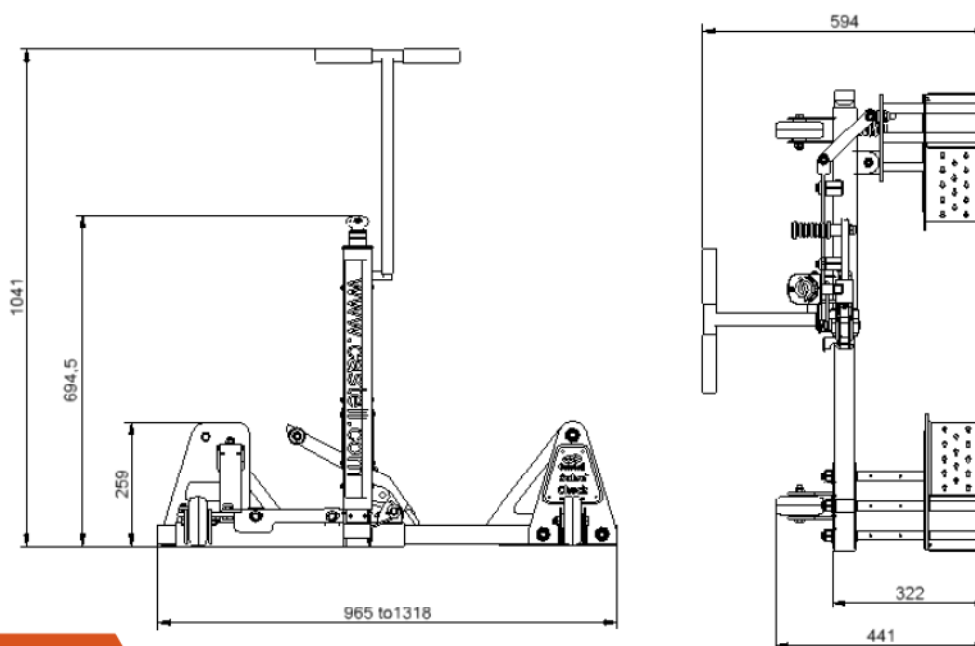
### Technical Data

Material	Powder coated carbon steel and aluminium
Weight	26kg
Colour	Safety yellow/graphite grey

### Drawing

Dimensions:  
in mm

SALVO CHOCK



### Order Information

Please advise part number and symbol when ordering.

**(\*\* mandatory information)**

Part Number\*\*

007058

Symbol\*\*

please advise